



**IC-M330G**  
(With GPS Receiver)

**IC-M330**  
(Without GPS Receiver)

**VHF MARINE TRANSCEIVERS**

# Top Performance Ultra Compact VHF

**MADE IN  
JAPAN**



## Ultra Compact Body

(W x H x D; 156.5 x 66.5 x 110.1 mm; 6.2 x 2.6 x 4.3 in)

## Easy Installation in Limited Space

## New Speaker Delivers Dynamic, Clear Audio

## Built-in Class D DSC with a CH70 Dedicated Receiver (IC-M330G meets ITU-R M.493-14)

## Class Leading Receiver Performance (IMD and Selectivity: more than 70 dB)

## Intuitive Operation with Icom Marine User Interface

## GPS Receiver Built-in with Supplied GPS Antenna (IC-M330G)



## Easy-to-Read Full Dot-Matrix Display

## IPX7 Submersible Construction (1 m depth of water for 30 minutes)

## AquaQuake™ Draining Function

## Made in Japan Quality and Reliability



## Ultra Compact Body, Flexible Installation

The IC-M330/G has a palm-sized compact body (W×H×D; 156.5 × 66.5 × 110.1 mm; 6.2 × 2.6 × 4.3 in). The radio can be installed in limited space.

## New Speaker Delivers Dynamic, Clear Audio

A new speaker design delivers dynamic and clear sound over a wide bass and treble range. The IC-M330/G provides a distortion-free clear audio even at full volume.

## Built-in Class D DSC

The radio monitors CH 70 continuously, even while you are receiving another channel. DSC functions include: distress, individual, group, all ships, urgency, safety, position request/report, polling request and DSC test calls.

## Class Leading Receiver Performance

The radio provides reliable communication in RF busy environment like a marina. (Selectivity and IMD: more than 70 dB)

## Intuitive Operation with Icom Marine User Interface

A combination of the directional keypad and soft keys provides simple, smooth operation. Most used functions are assigned to soft keys for quick one push function access.

## GPS Receiver Built-in (IC-M330G)

A built-in GPS receiver provides your location, bearing and speed by using information from GPS, GLONASS and SBAS. The acquired position information can be used for DSC calls.



Supplied GPS antenna

## Made in Japan Quality and Reliability

All Icom products are tested to pass rigorous in-house tests as well as environmental tests at the Wakayama Icom plant before shipping. Our world-leading products and quality is tradition.

## And More

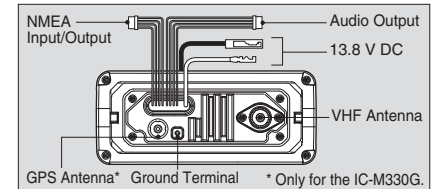
- IPX7 submersible (1 m depth of water for 30 minutes)
- AquaQuake™ prevents audio degradation from a water-logged speaker
- Common NMEA interface for external GPS/NAV connection
- MA-500TR Class B AIS transponder compatible
- Tag scan and favorite channel functions
- Dual/tri-watch function for monitoring CH16 and/or call channel
- Priority scan function • Display and keypad backlighting
- External speaker connection • Weather channel with weather alert
- Supplied hand microphone, HM-235B/W, with channel up/down keys and a CH16/Call channel key
- 3-digit or 4-digit channel display selectable

## OPTIONS



**HM-235B/W**  
HAND MICROPHONE  
Same as supplied.

## REAR PANEL VIEW



## SPECIFICATIONS

| GENERAL  |                              |   |
|--|------------------------------|---|
| Frequency range                                  | Tx<br>Rx<br>CH70             | 156.025–161.600 MHz<br>156.050–163.275 MHz<br>156.525 MHz |
| Usable channels                                  |                              | USA, CAN, INT, WX channels                                |
| Type of emission                                 |                              | 16K0G3E (FM), 16K0G2B (DSC)                               |
| Power supply requirement                         |                              | 13.8 V DC nominal (11.7–15.9 V DC)                        |
| Current drain (at 13.8 V DC)                     | Tx 25 W output<br>Rx AF max. | 5 A<br>1 A  |
| Operating temperature range                      |                              | –20°C to +60°C; –4°F to +140°F                            |
| Antenna impedance                                |                              | 50 Ω (SO-239)   |
| Dimensions (W×H×D)<br>(projections not included) |                              | 156.5 × 66.5 × 110.1 mm;<br>6.2 × 2.6 × 4.3 in            |
| Weight (approx.)                                 |                              | 730 g; 1.6 lb   |
| NMEA formats                                     | In<br>Out                    | RMC, GGA, GNS, GLL, VTG<br>DSC, DSE, RMC, GSA, GSV        |
| TRANSMITTER                                      |                              |   |
| Output power (at 13.8 V DC)                      |                              | 25 W, 1 W   |
| Max. frequency deviation                         |                              | ±5 kHz  |
| Frequency tolerance                              |                              | ±5 ppm  |
| Spurious emissions                               |                              | Less than –70 dBc (High)<br>Less than –56 dBc (Low)       |

| RECEIVER  |             |  |
|---|-------------|--|
| Sensitivity   | Main<br>DSC | –13 dBμ typ. (12 dB SINAD)<br>–5 dBμ emf typ. (1% BER) |
| Squelch sensitivity                                 |             | Less than –10 dBμ                                      |
| Adjacent channel selectivity                        | Main<br>DSC | More than 70 dB<br>More than 73 dBμ emf (1% BER)       |
| Spurious response                                   | Main<br>DSC | More than 70 dB<br>More than 73 dBμ emf (1% BER)       |
| Intermodulation                                     | Main<br>DSC | More than 70 dB<br>More than 68 dBμ emf (1% BER)       |
| Hum and noise                                       |             | More than 40 dB  |
| Audio output power<br>(at 10% distortion, 4 Ω load) |             | 4.5 W typical  |

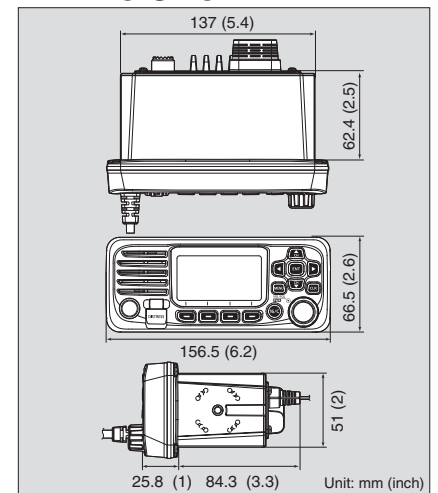
Measurements made in accordance with TIA/EIA-603. All stated specifications are subject to change without notice or obligation.

## Applicable IP Rating

| Ingress Protection Standard |                              |
|-----------------------------|------------------------------|
| Water                       | IPX7 (Waterproof protection) |

| Supplied accessories: * Only for the IC-M330G. |                                     |
|--|-------------------------------------|
| • HM-235B/W hand microphone                    | • DC power cable                    |
| • Mounting bracket kit                         | • GPS antenna (5 m; 16.4 ft cable)* |

## DIMENSIONS



Icom, Icom Inc. and Icom logo are registered trademarks of Icom Incorporated (Japan) in Japan, the United States, the United Kingdom, Germany, France, Spain, Russia, Australia, New Zealand and/or other countries. AQUAQUAKE is a trademark of Icom Inc. (Japan). All other trademarks are the properties of their respective holders.