

**ICOM**

**INSTRUCTION MANUAL**

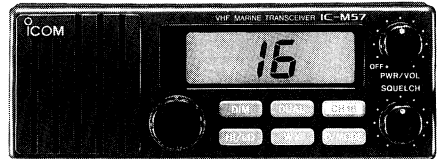
VHF MARINE TRANSCEIVER  
**IC-M57**

---

---

---

---



**Icom Inc.**

---

# IMPORTANT

---

**READ ALL INSTRUCTIONS** carefully and completely for maximum performance.

**SAVE THIS INSTRUCTION MANUAL.** The contents contain important safety and operating instructions for the **IC-M57**.

---

# CAUTIONS

---

**NEVER** connect the transceiver to more than 16 V DC or to an AC power source.

**NEVER** allow children to touch the transceiver.

**NEVER** immerse the transceiver in water.

**KEEP** the transceiver and microphone at least 1 meter away from the ship's magnetic navigation compass.

**AVOID** placing the transceiver in direct sunlight or subjecting it to temperatures below  $-20^{\circ}\text{C}$  ( $-4^{\circ}\text{F}$ ) or above  $+60^{\circ}\text{C}$  ( $+140^{\circ}\text{F}$ ).

**BE CAREFUL!** The transceiver is only weather resistant when the 4 cover screws are securely tightened.

---

# UNPACKING

---

## Accessories included with the IC-M57:

	Qty.		Qty.
① mounting bracket.....	1	⑧ microphone hanger.....	1
② mounting bracket knobs.....	4	⑨ DC power cable.....	1
③ flat washers (M4).....	4	⑩ mounting screws.....	4
④ flat washers (M5).....	8	⑪ star washers.....	4
⑤ nuts (M5).....	4	⑫ mounting screws.....	4
⑥ mic hanger screws (3.5 × 3.0)..	2	⑬ external speaker plug.....	1
⑦ fuses (10A).....	2		

---

Thank you for purchasing the **IC-M57 VHF MARINE TRANSCEIVER**. Using the most advanced technology, Icom has produced a marine transceiver for those who want simple operation.

---

## ■ Priorities

- 1) Read all rules and regulations pertaining to priority transmission and keep an up-to-date copy handy.
- 2) When not operating on another channel, Channel 16 must be monitored.
- 3) False or fraudulent distress calls are **prohibited**.

## ■ Privacy

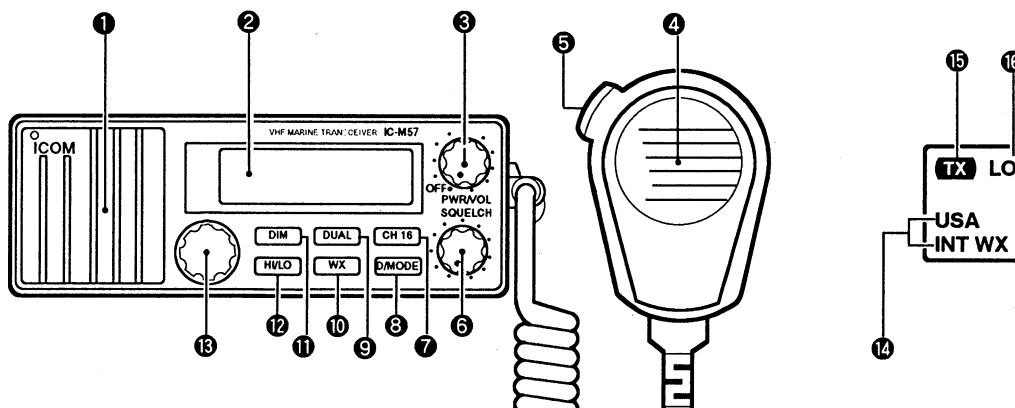
- 1) Information overheard but not intended for you cannot be used in any way.
- 2) Indecent or profane language is **prohibited**.

## ■ Radio licenses

- 1) **Ship station license:** when your craft is equipped with a VHF FM marine transceiver, you must have a current radio station license before transmitting. It is unlawful to operate a station without a license. Ask your dealer or the appropriate government agency for a Ship-Radiotelephone License Application.
- 2) **Operators' license:** a restricted Radiotelephone Operator Permit is the license most often held by small vessel operators when a radio is not required for safety purposes. This can usually be obtained by mail.

The permit must be posted near the transceiver or kept with the operator.

Non-licensed individuals may talk over a transceiver **ONLY** if a licensed operator starts, supervises, ends the call and makes the necessary log entries.



## ■ Front panel

### ① SPEAKER

### ② FUNCTION DISPLAY

Displays the selected channel number, etc.

### ③ POWER SWITCH/VOLUME CONTROL [PWR/VOL]

Turns power ON and OFF and adjusts the speaker volume.

### ④ MICROPHONE

### ⑤ PTT (Push-to-talk) SWITCH [PTT]

Push and hold to transmit; release to receive.

### ⑥ SQUELCH CONTROL [SQUELCH]

- Rotate clockwise to eliminate audio noise.
- Deep rotation activates the RF attenuator to cut weak signal reception.

### ⑦ CHANNEL 16 SWITCH [CH 16]

Selects Channel 16. Used for emergency and distress calls and as a call channel.

### ⑧ DIAL/ MODE SWITCH [D/MODE]

Selects U.S.A. or international channels.

### ⑨ DUAL WATCH SWITCH [DUAL]

Starts and stops dual watch.

### ⑩ WEATHER CHANNEL SWITCH [WX]

Selects weather channels.

### ⑪ DIMMER SWITCH [DIM]

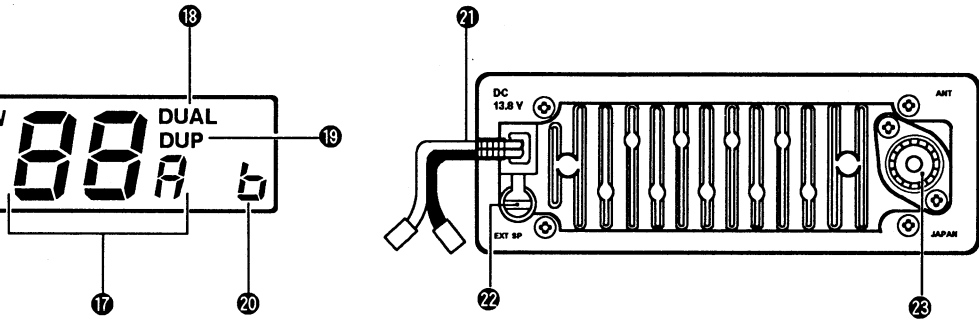
Turns the function display backlighting ON or OFF.

### ⑫ TRANSMIT POWER SWITCH [HI/LOW]

Selects high or low transmitter power.

### ⑬ CHANNEL SELECTOR

Selects an operating channel.



## ■ Function display

- 14 CHANNEL SYSTEM INDICATORS**  
Indicate the selected channel system.
- 15 TRANSMIT INDICATOR [TX]**  
Appears when transmitting.
- 16 LOW POWER INDICATOR [LOW]**  
Appears when low power is selected for transmitting.
- 17 CHANNEL INDICATOR**  
Displays the operating channel.
- 18 DUAL WATCH INDICATOR**  
Blinks during dual watch operation.
- 19 DUPLEX INDICATOR**  
Indicates a duplex channel in which different frequencies are used for transmit and receive.
- 20 LOW BATTERY INDICATOR**  
Warns of a low battery condition.

## ■ Rear panel

- 21 DC POWER CONNECTOR**  
Connects the supplied DC power cable to an external 12 V power source.
- 22 EXTERNAL SPEAKER JACK**  
4 Ω speaker jack.
- 23 ANTENNA CONNECTOR**  
Connects an antenna with a PL-259 connector to the transceiver.

## Basic operation

- 1) Rotate [PWR/VOL] clockwise to turn the power ON, then adjust the volume.
  - Channel 16 is displayed.
- 2) Rotate [SQUELCH] completely CCW; then rotate CW until the audio noise is just muted.

## Channel 16



CH 16

Channel 16 is an emergency, distress and call channel. Access channel 16 instantly (when [PWR] is ON) in any of the following ways:

- ① Push [CH 16].
- ② Turn power OFF; then ON again.
- ③ Hang the microphone on the microphone hook.

## U.S.A. channels

To select a USA channel:



D/MODE

- 1) Set up the transceiver as in basic operation.
- 2) Push [D/MODE] once or twice until "USA" appears in the function display.
- 3) Rotate the channel selector to set your desired channel.

## International channels

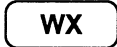
To select an international channel:



D/MODE

- 1) Set up the transceiver as in basic operation.
- 2) Push [D/MODE] once or twice until "INT" appears in the function display.
- 3) Rotate the channel selector to select your desired channel.

## Weather channels



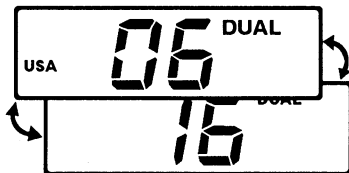
To select a weather channel:

- 1) Set up the transceiver as in basic operation.
- 2) Push [WX].
  - "WX" appears in the function display.
- 3) Rotate the channel selector to set your desired channel.

CHANNEL NUMBER	FREQUENCY (MHz)	CHANNEL NUMBER	FREQUENCY (MHz)
WX 1	162.550	WX 6	162.500
WX 2	162.400	WX 7	162.525
WX 3	162.475	WX 8	161.650
WX 4	162.425	WX 9	161.775
WX 5	162.450	WX 10	163.275

**NOTE:** Weather channels can be received only.

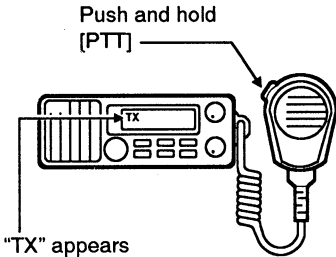
## Dual watch



The dual watch function monitors Channel 16 every 2 sec. while you use another channel.

- 1) Select the desired operating channel.
  - When Channel 16 is selected, dual watch will not activate.
- 2) Rotate [SQUELCH] until the audio noise disappears.
- 3) Push [DUAL] to start the dual watch function.
  - "DUAL" blinks in the function display.
  - When a signal is received on Channel 16, dual watch stops on Channel 16 until the signal disappears.
- 4) Push [DUAL] again to cancel the dual watch function.

## Transmitter operation



- 1) Select the operating channel. See RECEIVING.
  - Weather channels cannot be transmitted.
- 2) Push [HI/LO] to select transmit power.
  - "LOW" appears when low power is selected.
- 3) Push and hold [PTT] to transmit.
  - "TX" appears in the function display.
  - DO NOT speak into the microphone too loudly or the audio will be distorted.
  - The time-out timer function automatically returns the transceiver to receive after 3 min. of continuous transmission.
- 4) Release [PTT] to receive.

## Call procedures

- 1) Give your call sign (or vessel name and license) at the beginning of each transmission.
- 2) Give your call sign at the end of each transmission that lasts more than 3 min.
- 3) For long ship-to-shore calls, you must give your call sign at least once every 15 min.
- 4) Keep unanswered calls short (less than 30 sec.). Wait 2 min. before repeating the call.

## Transmitter restrictions

CHANNEL NUMBER	U.S.A. CHANNEL	INTERNATIONAL CHANNEL
13	* Momentary high power	No restriction
15	Receive only	Low power only
17	Low power only	Low power only
67	* Momentary high power	No restriction

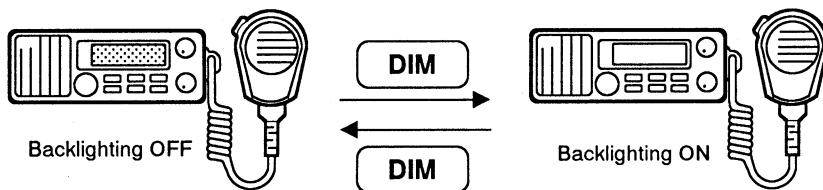
\* To select high power push and hold [HI/LO]; then, push [PTT].



## ■ Dimmer

The function display backlighting can be turned OFF and ON with the DIMMER [DIM] switch.

Push [DIM] to turn the backlighting ON or OFF.



## ■ Low battery indicator

A small "b" appears in the function display warning of a low battery condition. When this happens, check the dynamo of your boat as well as your battery and connections. The battery may need to be replaced.

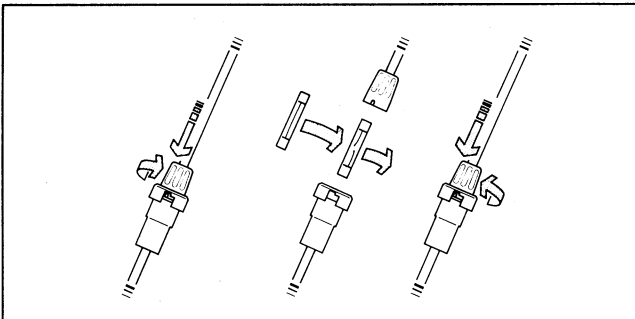


## ■ Troubleshooting

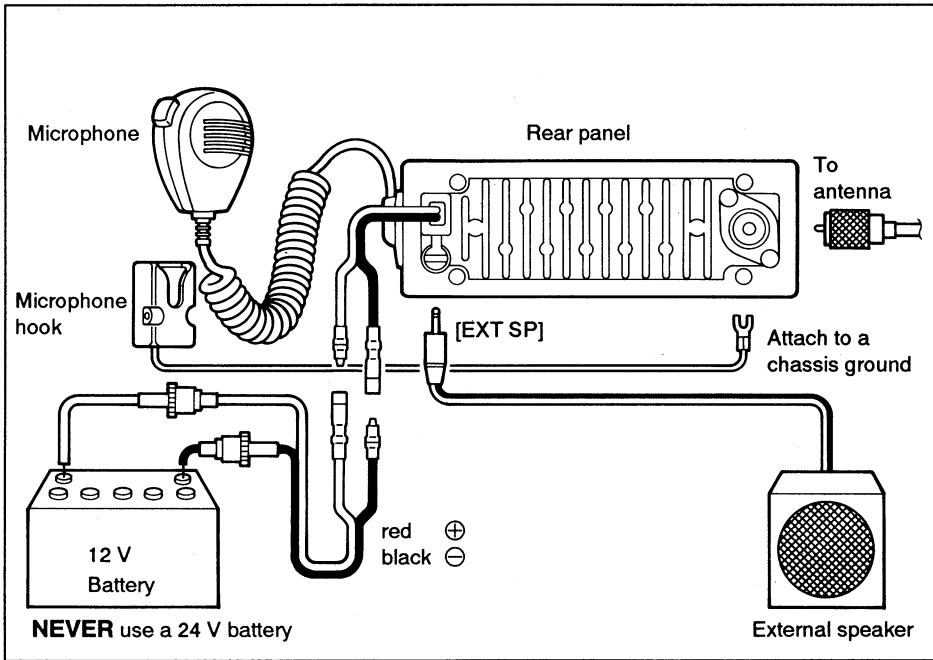
PROBLEM	POSSIBLE CAUSE	SOLUTION
<ul style="list-style-type: none"> <li>No power</li> </ul>	<ul style="list-style-type: none"> <li>Power connector has a poor contact.</li> <li>Blown fuse.</li> </ul>	<ul style="list-style-type: none"> <li>Check connector pin.</li> <li>Replace the fuse.</li> </ul>
<ul style="list-style-type: none"> <li>No sound from the speaker.</li> </ul>	<ul style="list-style-type: none"> <li>[SQUELCH] is turned too far clockwise.</li> <li>An external speaker or cable is broken.</li> </ul>	<ul style="list-style-type: none"> <li>Rotate [SQUELCH] counter-clockwise.</li> <li>Unplug the external speaker jack.</li> </ul>
<ul style="list-style-type: none"> <li>Sensitivity is low and only strong signals are audible.</li> </ul>	<ul style="list-style-type: none"> <li>[SQUELCH] is turned too far clockwise.</li> <li>Antenna feedline is cut or short-circuited.</li> <li>Bad connection at the antenna connector.</li> </ul>	<ul style="list-style-type: none"> <li>Rotate [SQUELCH] counter-clockwise.</li> <li>Check the feedline and correct if necessary.</li> <li>Check the antenna connector and clean the center conductor.</li> </ul>
<ul style="list-style-type: none"> <li>Cannot transmit at high power or at all.</li> </ul>	<ul style="list-style-type: none"> <li>Transmission is restricted on some channels.</li> <li>A weather channel is selected.</li> </ul>	<ul style="list-style-type: none"> <li>See "Transmitter restrictions."</li> <li>Push [D/MODE] or [CH16].</li> </ul>
<ul style="list-style-type: none"> <li>Displayed channel does not change.</li> </ul>	<ul style="list-style-type: none"> <li>Channel 16 is selected.</li> </ul>	<ul style="list-style-type: none"> <li>Push [D/MODE] or [WX].</li> </ul>
<ul style="list-style-type: none"> <li>Dual watch does not function.</li> </ul>	<ul style="list-style-type: none"> <li>Channel 16 is displayed.</li> </ul>	<ul style="list-style-type: none"> <li>Push [D/MODE] or [WX]; then push [DUAL].</li> </ul>

## ■ Fuse replacement

Two fuses are installed in the DC power cable. If the fuses blow or the transceiver stops functioning, locate the source of the problem and replace the damaged fuses with new, rated ones. (10A)



## ■ Connections



- **AVOID** long cable runs to the antenna and power source.
- **KEEP** these cables as far away as possible from electric pumps, generators and other electronic instruments.
- Antennas and antenna placement are **very important**. Ask your Icom Dealer for recommendations.

## OPTIONS

- **HS-57 HANDSET KIT**  
Facilitates clear voice communication.
- **SP-10 EXTERNAL SPEAKER**  
Input impedance: 4 Ω  
Max. input power: 5 W
- **MB-28 FLUSH MOUNT**  
For mounting the IC-M57 to a panel.
- **SP-5 EXTERNAL SPEAKER**  
Input impedance: 4 Ω

**Count on us!**

